

GENERAL DESCRIPTION

PRODUCT NAME: CLASSIC Rustic Shingle
DESCRIPTION: Aluminum Shake Roofing System
USE: Residential and light commercial roofs and mansards

CANADA DISTRIBUTOR:

Classic Products Roofing Systems Inc.
 275 Watline Ave., Mississauga, ON L4Z 1P3
1-866-969-7663
 info@classicproducts.ca | www.classicproducts.ca

MANUFACTURER: Isaiah Industries Inc.

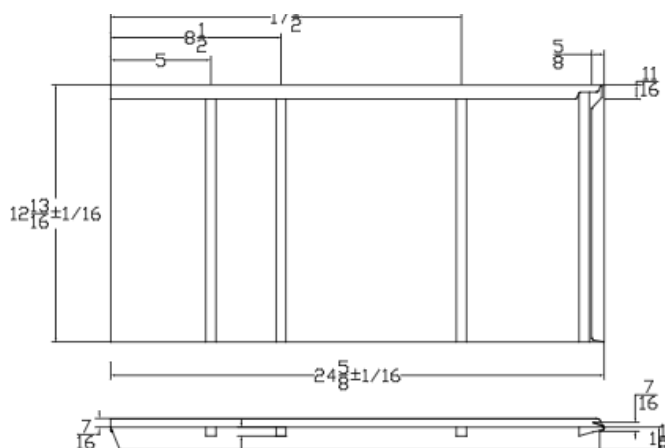
FINISH

CLASSIC Rustic Shingle is coated with a baked-on protective primer and Kynar 500 or Hylar 5000 top coat to provide a high quality finish.

Kynar 500 and Hylar 5000 are trade names for polyvinylidene flouride resin. Panel backs are finished with a protective clear coat.

Also available in Thermobond Custom Colours.

CLASSIC RUSTIC SHINGLE



Four-Way Interlocking Design

Exposure Height: 12"
Exposure Width: 24"
Thickness: .019"/.483 mm
Weight/Square: 42 lbs

» Flashings and matching coilstock are made of .019"/.483mm 3105 H26 aluminum alloy sheet stock with a yield strength of 25 000 psi and tensile strength of 30 000 psi.

- » All pre-formed panels including pre-formed accessories and flashing
- » Metal Construction Association Certified Premium Roofing Panels
- » Optional fitted foam inserts for high traffic areas
- » LEED Credit Eligible

INSTALLATION

- » **Minimum Pitch 3:12**
- » Applied over minimum 3/8" decking
- » May be applied over existing composition roofing provided the existing roofing is smooth. Curled or irregular roofing should be removed or replaced
- » Entire roof must be covered with at least one layer of 30 lb felt or equivalent
- » Four-way interlocking panels are secured to the roof using the integral nailing clip and an additional nail clip attached to panel's top lock allowing panel to expand and contract as necessary

Scope: The scope of work includes but is not limited to, the installation of all pre-formed panels, pre-formed accessories and field formed accessories such as miscellaneous flashings and attaching devices as well as sealant.

Note on Dissimilar Materials: Aluminum materials should not be installed in contact with dissimilar metals, or other corrosive nonmetallic materials that might be wet continually. Dissimilar materials should be painted or otherwise protected when in contact with aluminum. Do not permit water from copper flashing to drain over aluminum products.